

Performance Hoist

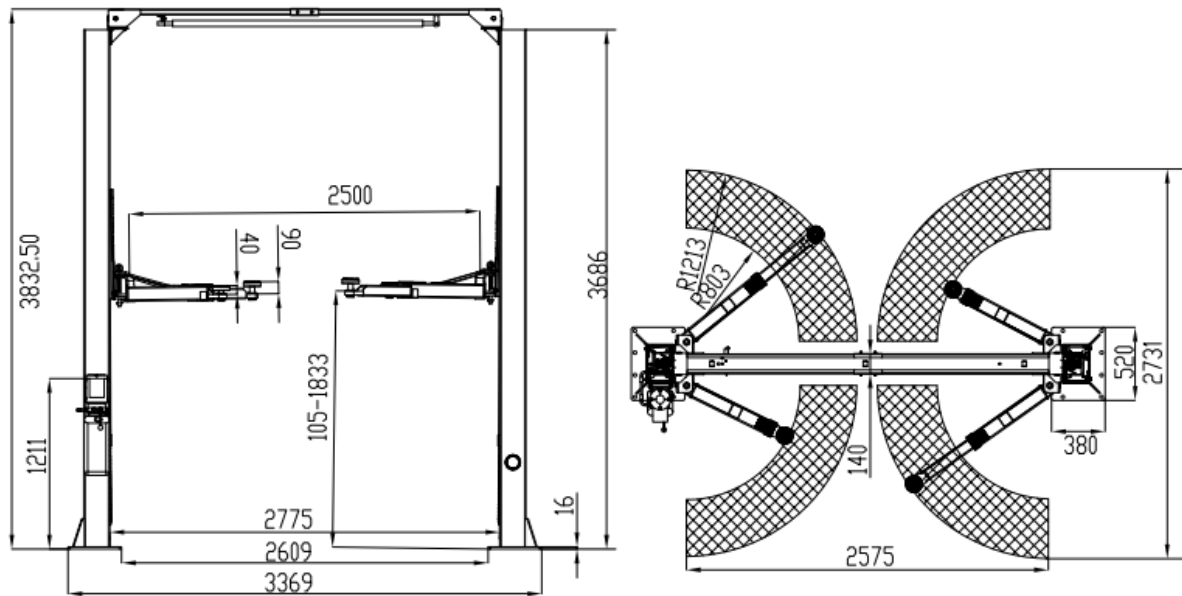
PH9B 2 POST OVERHEAD GANTRY HOIST \$3,995



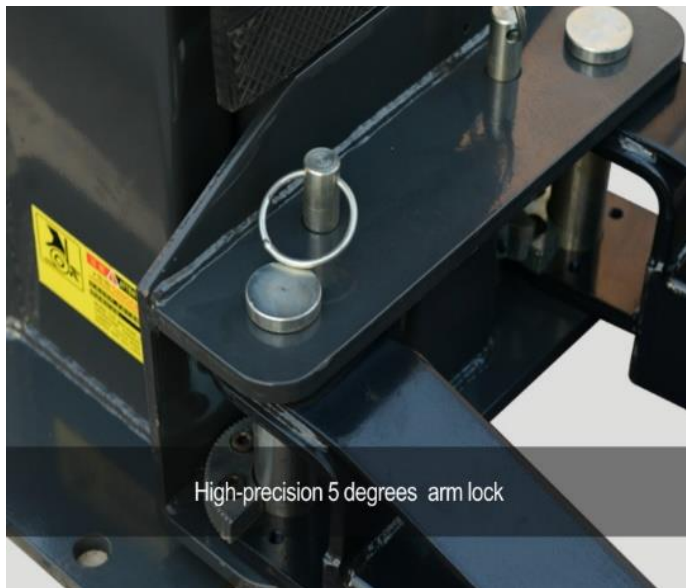
If you're looking for a hoist for maintenance and repair, want to save a bit of space, consider a 2 post lift. The PH9B is an overhead gantry-based design. Driven by an electric motor over a hydraulic pump, it uses a wire rope drive, so is quiet to operate. The built-in ladder lock system allows for working height adjustment and safety. The bilateral manual unlocking is convenient to use. Design has been CE certification tested, 120% dynamic load tested and 150% static load tested.

Specifications:

Lifting capacity	9,000 lbs
Outside width	132"
Width between posts	108"
Height of posts	145"
Lifting height	72"
Lifting time	50 sec
Lowering time	40 sec
Motor power	2.2 kw
Power Supply	220v



Measurements in metric



High-precision 5 degrees arm lock

High precision 5 degree arm lock

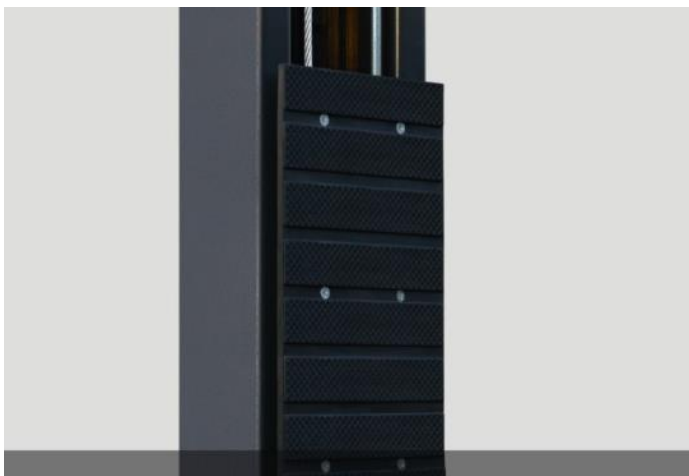


Bilateral, manual lock release

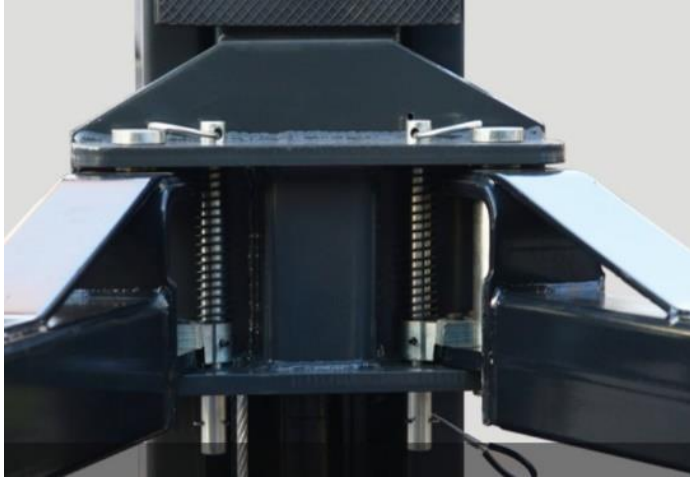


Parachute valve

Parachute valve



Rubber bumper door protection



Strengthened, carriage inner arm lock



2-stage Screw-up pads

Screw adjustable pads